



TRS67-16I

TRS67-8I-80

Bus Coupler EtherCAT IP67

Documentation

Note

This instruction is used for TPA TRS67-16I and TRS67-8I-8O Remote IO module

This instruction is about the specifications, installation, main function and the configuration process of TRS67-16I and TRS67-8I-8O IP67 Remote IO module.

Application

This instruction application to the following

Electrical engineer

Field installation workers

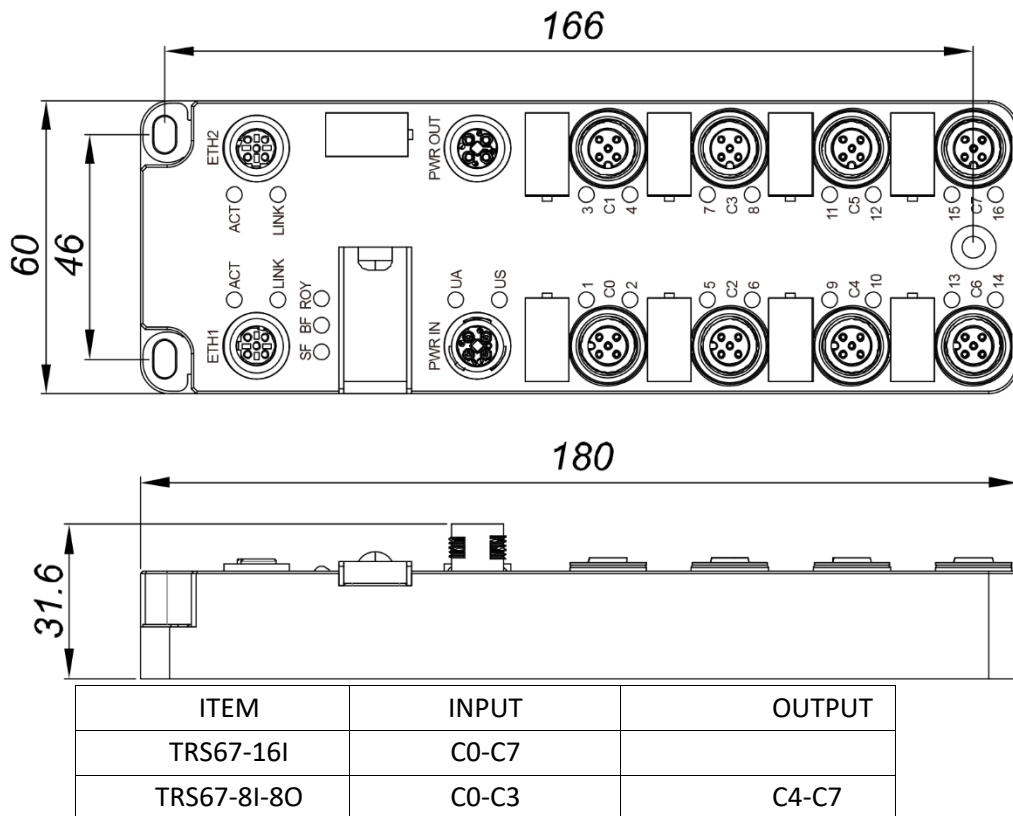
Disclaimer

This manual is based on existing information, and its contents are subject to change without notice. Tpa has done its best to ensure that its content is accurate and reliable when writing this manual, but shall not be liable for the loss and damage caused by omission, inaccuracy or typographical errors in this manual.

Product information

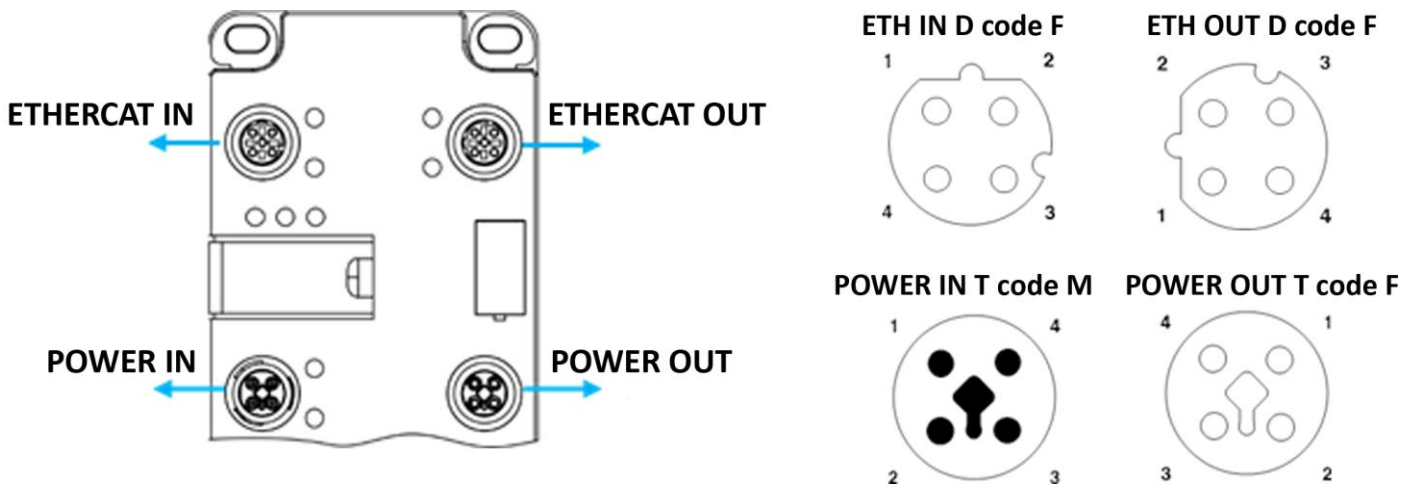
The TRS67-16I and TRS67-8I-8O series remote IO module is a 16-channel industrial digital input and output module independently developed by Tpa that complies with the EtherCat V5.1 communication protocol. This series of products uses M12 T Code coded connectors for power supply. All channels of the EC16 series support fault diagnosis alarms and short-circuit self-recovery functions, which can help engineers quickly locate and find on-site faults and reduce maintenance costs.

Dimensions



Description of each port

1.3.1 Signal and power

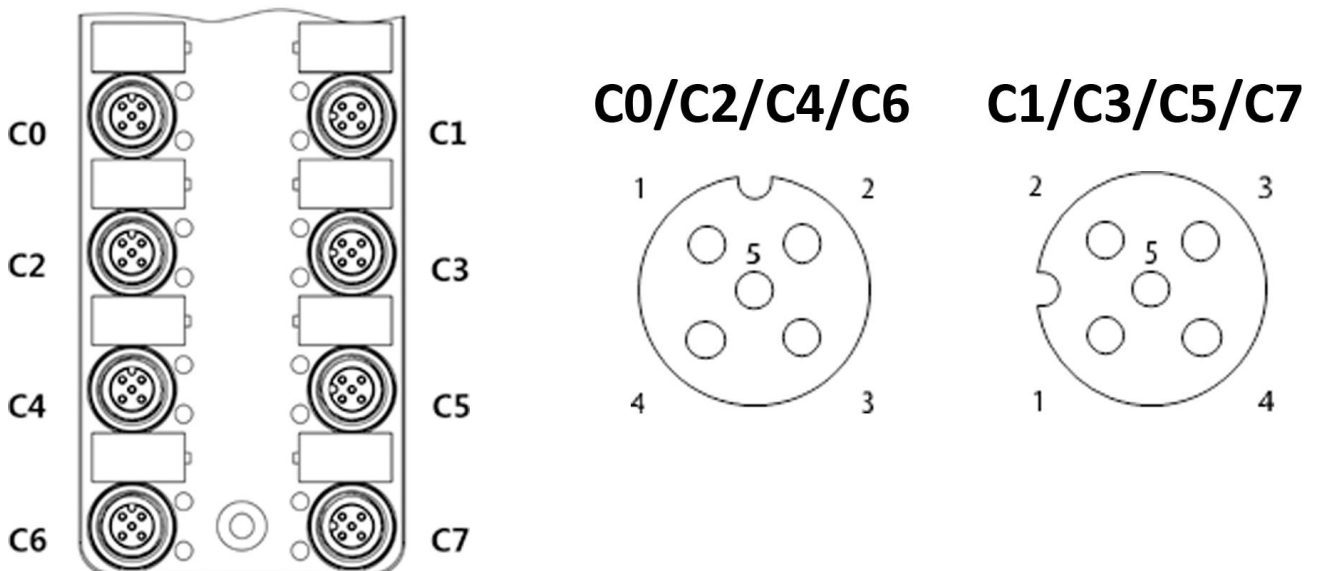


Contact definition

Contact No.	ETH (ETHERCAT)	PWR(POWER)
1	TX+	24V(US+)
2	RX+	GND(UA-)
3	TX-	GND(US-)
4	RX-	24V(UA+)

1.3.2 I/O signal

A code F



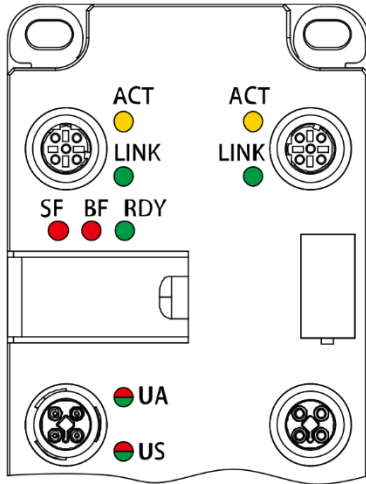
Contact definition

PIN	Description
1	24V
2	PIN 2 signal

3	GND
4	PIN 4 signal
5	FE

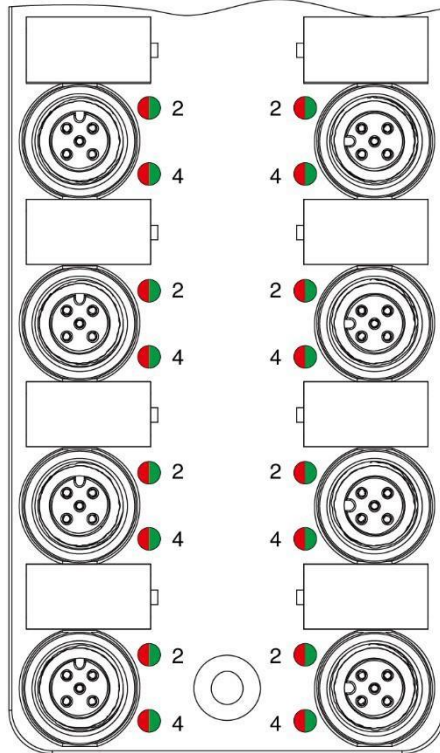
Description of the light

Light indicator of EtherCAT and Power







Indicator light	Color	Definition	State	Description
LINK	GN	connection	green	ETH 1/2 connected
			extinguish	ETH 1/2 unconnected
ACT	YE	acting	flash	ETH 1/2 data transmission
			extinguish	ETH 1/2 without data transmission
RDY	GN	ready	green	Device turn on,will also remain after the normal communication of the device is disconnected
			flash	Waiting for CPU synchronization
			extinguish	Device did not turn on
BF	RD	Break	red	Unconnected with EtherCat control
			extinguish	Connection with EtherCat control
SF	RD	Inspection error	red	Inspection error exist
			extinguish	None
US	GN/RD	Sensor power	green	US power supply normal
			extinguish	US power supply out
			red	US power supply undervoltage(under 18V)
UA	GN/RD	Device power	green	UA power supply normal
			extinguish	UA power supply out
			red	UA power supply undervoltage (under 18V)



Light indicator of I/O signal



light	color	define	state	description
2	GN/RD	Signal performance of PIN 2	green	Signal exist in Pin2
			extinguish	No signal exist in Pin2
			red	Pin2 output overload short circuit
2 @ 4 red at the same time				Pin1(power) overload short circuit
4	GN/RN	Signal performance of PIN 2	green	Signal exist in Pin4
			extinguish	No signal exist in Pin4
			red	Pin2 output overload short circuit

2.1 Connectors and Accessories

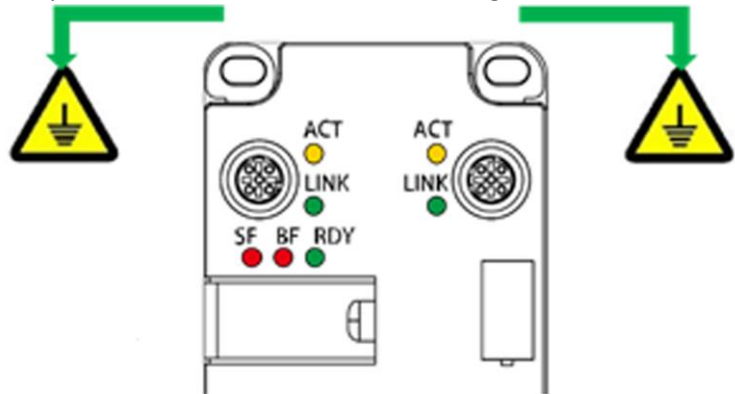
	M12 connector - I/O TRS8.3.04
	M12 connector - Power in TRS8.3.03
	M12 connector - Power out TRS8.3.02
	M12 connector - EtherCAT TRS8.3.01

	M12 connector male to 2M8 female - I/O TRS8.3.05
	M12 cover for female

2.2 Connect description

2.2.1 Device grounding

To avoid data damage or loss, please ensure that the device is well grounded



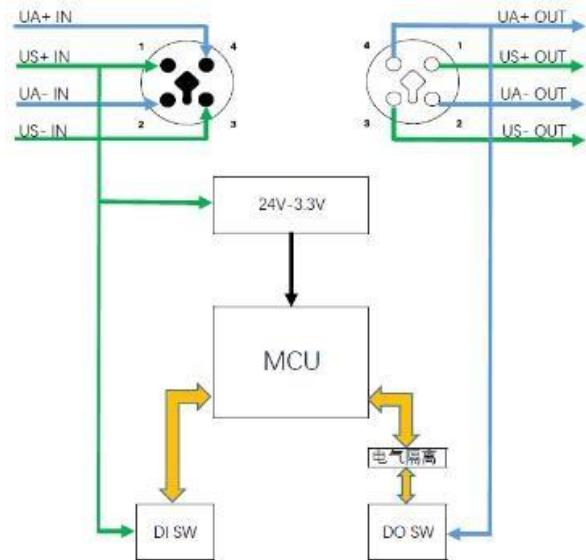
2.2.2 Shielded Cable

To avoid data damage or loss, use the EtherCat cable, Ensure that the shielding layer of the cable is well grounded.

2.2.3 Power supply

TRS67-16I and TRS67-8I-8O module power supply use M12 Tcode connection.

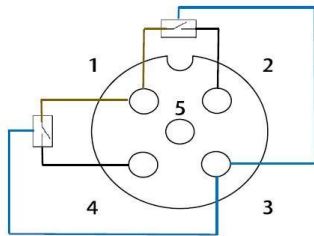
Module system and DI supported with US power supply , DO with UA power supply. Power range 18-30 VDC, current 12A, If the module uses series power supply, please pay attention to the voltage drop and the total current of the power supply.



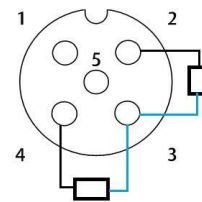
Typical connection diagram

2.2.4 IO connection

TRS67-16I and TRS67-8I-8O series IO signal is PNP. Please pay attention to the wiring method when connecting the sensor and actuator, below shown the typical connection diagram



Typical Connection diagram input



Typical Connection diagram output

2.3 Device fasten

Please use standard M4 screws to fix the module, the fixing surface should be kept flat, the module can not bear bending stress

Chapter three: Configuration and operation instructions

3.1 ESI file

EC16 series use equipment description files (ESI) that comply with the EtherCat V2.3 standard

3.2 Main parameters

Housing material	PC
Filler material	Polyurethane
Metal Material	Copper nickel plated
Weight	300g
Operating temperature	-25 --- 60°C If the device is used at an ambient temperature higher than 50 ° C, be careful of high temperature burns when it contact with the metal surface of the device
Storage temperature	From -30 to 70°C
Operating humidity	From 5% to 95%
Storage humidity	From 5% to 95%
Operating pressure	From 70 to 106 kPa
Protecting degree	IP67

3.3 EtherCat

Port	2
transmission	Copper cable
Connectmethod	M12 D code 4 pin
Transmission speed	100Mbps
Device type	ETHERCAT Device
Consistency	Class B
Refresh time	2ms
EtherCat protocol	COE FOE

3.4 US Device and sensor power supply

Connection method	M12 T code 4 pin
Input voltage	18-30 VDC
Output current	MAX 12A
Reverse polarity protection	YES

Current consumption	120mA /no load
---------------------	----------------

3.5 UA Actuator power supply

Connection method	M12 T code 4 pin
Input voltage	18-30 VDC
Output current	MAX 12A
Reverse polarity protection	YES
Current consumption	5mA /no load

3.6 IO connection

Connection method	M12 A code 5 pin
Type	PNP
Input type	EN 61131-2 types 1 and 3
IO typical voltage	24VDC
Actuator supply current	500mA /one signal
sensor supply current	500mA /one signal
Protection of overload and short circuit	870mA /self-fixable

3.7 Electrical isolation

Testing parts	Testing voltage
US power Supply/ ETH 1	500 V AC, 50 Hz, 1 Min.
US power supply/ ETH 2	500 V AC, 50 Hz, 1 Min.
US power supply/ FE	500 V AC, 50 Hz, 1 Min.
ETH 1 / FE	500 V AC, 50 Hz, 1 Min.
ETH 2 / FE	500 V AC, 50 Hz, 1 Min.
ETH 1 / ETH 2	500 V AC, 50 Hz, 1 Min.
US/ UA power supply	500 V AC, 50 Hz, 1 Min.
UA power supply/ ETH 1	500 V AC, 50 Hz, 1 Min.
UA power supply/ ETH 2	500 V AC, 50 Hz, 1 Min.
UA power supply/ FE	500 V AC, 50 Hz, 1 Min.

3.8 Mechanical test

Vibration resistance according to EN60068-2-6/IEC60068-2-6	5 g
Shock complies with EN 60068-2-27 / IEC 60068-2-27	30g, 11ms cycle, Half-sine shock pulse
Continuous impact according to EN60068-2-27/IEC60068-2-27	10 g

3.9 EMC test

Noise immunity test complies with EN 61000-6-2 standard	
ESD EN 61000-4-2 / IEC 61000-4-2	Standard B, 6kV contact discharge, 8kV air discharge

Electromagnetic field EN 61000-4-3 / IEC 61000-4-3	Standard A, field strength: 10 V / m
Electrical fast transient burst immunity EN 61000-4-4 / IEC 61000-4-4	Standard B, 2 kV
Surge immunity (Surge) EN 61000-4-5 / IEC 61000-4-5	Standard B, DC power cord : ± 0.5 kV / ± 0.5 kV (symmetry/Asymmetry)
Conducted interference EN 61000-4-6 / IEC 61000-4-6	Standard A; testing voltage 10 V
Noise emission test according to EN 61000-6-4	
Radio interference EN 55022	Class A



T.P.A. Srl Tecnologie e Prodotti per l'Automazione - Via Carducci, 221 - 20099 Sesto S. Giovanni
 Tel. +390236527550 - www.tpaspa.it - P.I.: IT02016240968